

HD1050

HF Compression Driver

KeyFeatures

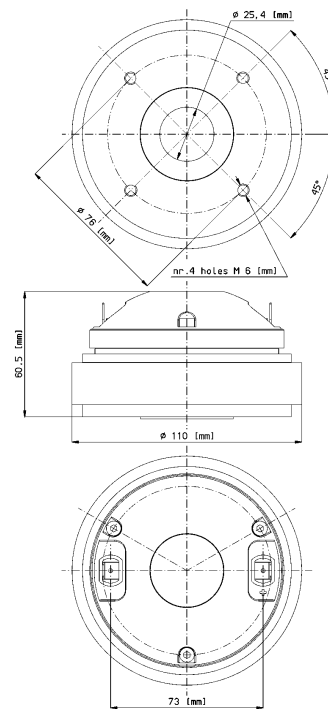
- 107 dB SPL 1W / 1m average sensitivity
- 1 inch exit throat
- 44 mm (1 3/4 inch) voice coil diameter
- 100 Watt program power handling
- Titanium dome over PEN suspension
- Proprietary phase plug design

Description

The HD1050 one inch exit high frequency compression driver has been designed for use in high quality audio systems. Equipped with Eighteen Sound proprietary Phase Plug architecture, the HD1050 has been designed to give high level manufacturing consistency and smooth coherent wave front at the horn entrance across the whole working frequency range. The phase plug with its short openings and high flare rate value assures low distortion and demonstrates remarkable improvements in mid-high frequency reproduction. The diaphragm assembly is composed of a titanium dome sandwiched to a proprietary treated polyester suspension unit. It has been designed to maintain low resonance, lowering the minimum crossover point value at 1,4kHz. An edge-wound aluminum voice coil, wound on proprietary treated Nomex, completes the diaphragm assembly. Thanks to its physical properties, the proprietary treated Nomex former has a 30% higher value of tensile elongation at a working operative temperature (200°C) when compared to Kapton. This feature enables proper energy transfer control from the voice coil to the dome in real working conditions. Moreover, this proprietary former material is also suitable for use in higher moisture content environments. The HD1050 powerful ceramic magnet assembly has been designed to obtain 16 KGauss in the gap and within a compact ferrite motor structure.

Models

Model	Code	Information
0421081050	0421081050	8 Ohm



HD1050

HF Compression Driver

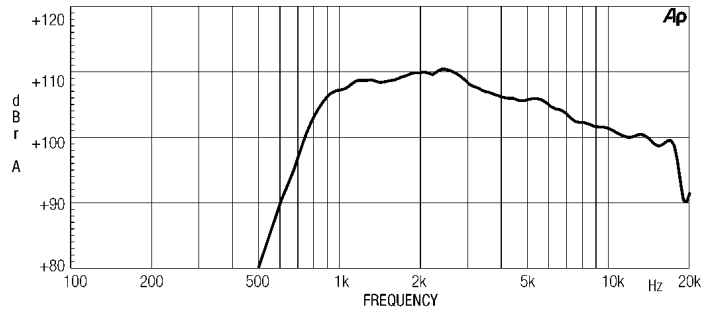
General Specifications

Throat Diameter	25,4 mm (1 in)
Rated Impedance	8 Ohm
DC Resistance	5,3 Ohm
Minimum Impedance	7 Ohm at 4000Hz
AES Power	50 W above 1,6 kHz
Program Power	100 W above 1,6 kHz
Sensitivity	107 dB
Frequency Range	1600Hz ÷ 20kHz
Recomm. Xover Frequency	1400Hz (12dB/oct slope)
Diaphragm Material	Titanium - PEN
Voice Coil Diameter	44,4 mm (1 3/4 in)
Voice Coil Winding Material	Edge-wound aluminum
Magnet Material	Ferrite
Flux Density	1,6 T
BL Factor	7,4 N/A
Polarity	Positive voltage on + terminal gives positive pressure in the throat

Thiele Small Parameters

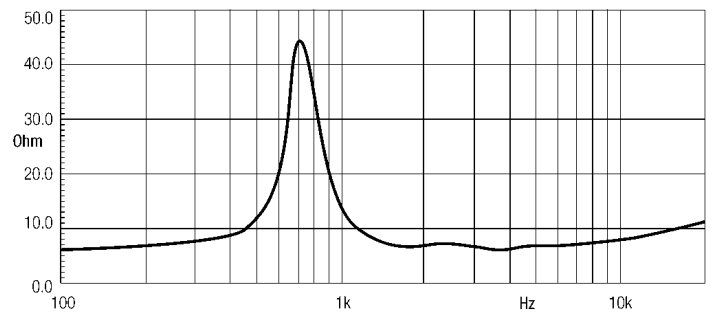
Mounting information

Overall diameter	110 mm (4,3 in)
N. of mounting holes and bolt	4 M6 holes 90° at Ø 76 mm (3 in)
Bolt circle diameter	76 mm (3 in)
Total depth	60,5 mm (2,38 in)
Net weight	1,6 Kg (3,52 lb)
Shipping weight	1,7 Kg (3,74 lb)
CardBoard Packaging dimensions	110x110x63 mm (4,3x4,3x2,5 in)



HD1050 MEASURED WITH 1W INPUT ON RATED IMPEDANCE AT 1M DISTANCE ON XT1086 HORN MOUTH AXIS

FREE AIR IMPEDANCE MAGNITUDE CURVE



Notes

- 1) AES power rating is tested with a pink noise input having a 6 dB crest factor for two hours duration within the specified range. Power calculated on minimum impedance.
- 2) Program power rating is defined as 3 dB greater than AES rating, and is a conservative expression of the transducer ability to handle music program material.
- 3) Sensitivity is measured at 1W input on rated impedance at 1m on axis from the mouth of XT1086 horn, averaged between 1kHz and 4 kHz.